



First choice for Digital Imaging

: PaX-Primo

We care for our customers
We care for your patients
We care for our partners

With insight, *Caring Insight*



The world's leading Dental Imaging Company

At Vatech & E-Woo we follow a simple business philosophy; to develop our talent and technology to create superior products and services that contribute to a better medical environment.

The three circles you see on the Vatech logo signify our commitment to this philosophy. They represent passion, speciality and innovation.

These are the core values at the heart of every decision the company makes.

PaX-Primo _ Your first choice for Digital Imaging

A step forward in digital dental performance

Two choices are available, PaX - Primo Standard or PaX - Primo Intelligent

Simple & Compact Design

PaX-Primo is small and compact in size and is designed to fit into a standard X-ray room.

Versatile LCD Touch Panel



The 10.4 inches wide LCD touch panel enables you to operate PaX-Primo right next to the patient. In addition, you can detach it to use outside the X-ray room. Patient positioning, capturing mode selection and storage of images are made simple with the LCD touch panel.

Superb Panoramic Image



With the newest CMOS pano sensor, you can obtain the best panoramic image in about 9 seconds.

Auto Focusing Technology

Auto Focusing Technology divides the dental arch into five sections within the focal trough and analyses the image data from thirteen different layers within each section. It selects the best layer from each section to ensure that the images are optimised irrespective of poor patient positioning and/or atypical patient arch.

Available Only on PaX-Primo Intelligent Models.

Comparison of images with incorrect patient positioning (Auto Focusing Technology)



Incorrect positioning

Auto Focusing Technology Solution

Incorrect positioning

Auto Focusing Technology Solution



KEY FEATURES

- Simple & Compact Design
- Versatile LCD Touch Panel
- Superb Panoramic Image
- Auto Focusing Technology

For the best image quality select Intelligent Mode

The quality of panoramic images is greatly influenced by the position of the patient. With PaX-Primo Intelligent, you can obtain excellent image quality regardless of the patient's position or size of the dental arch thanks to Auto Focusing Technology.

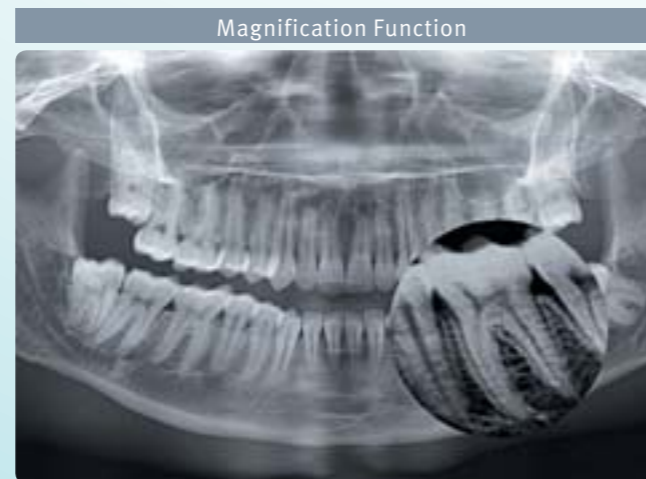
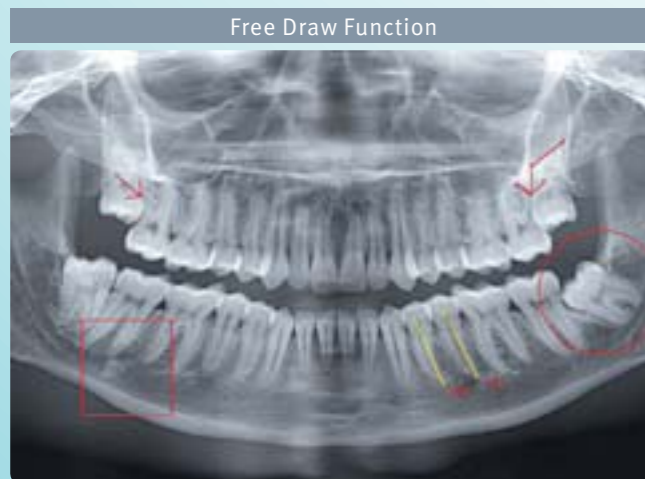
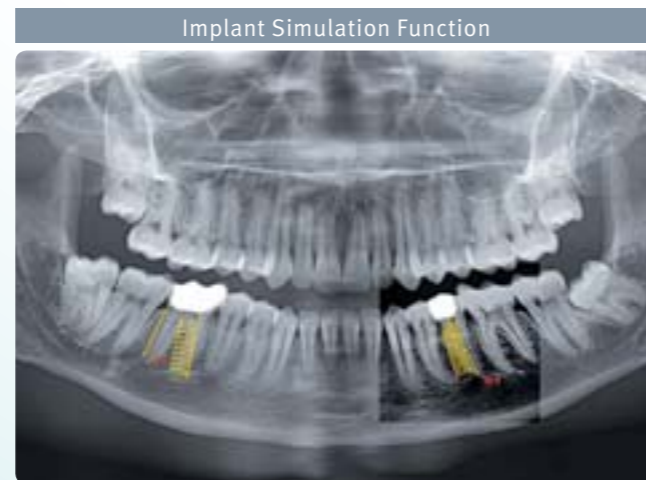
Value added technology



An integrated program for diagnosis and communication with the patient - EzDent 4.0

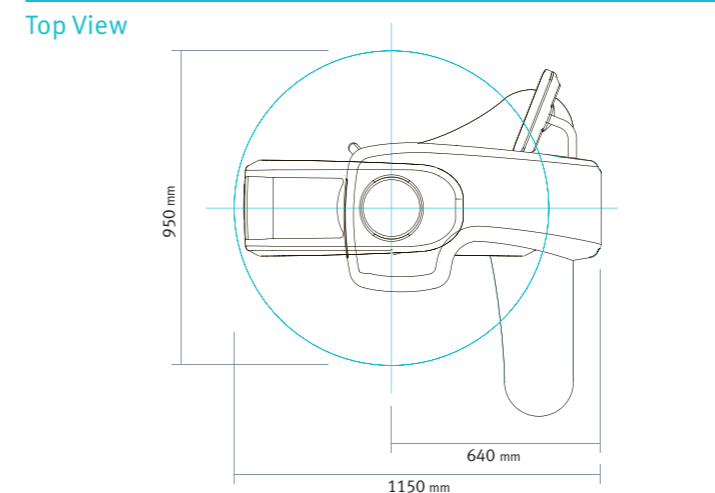
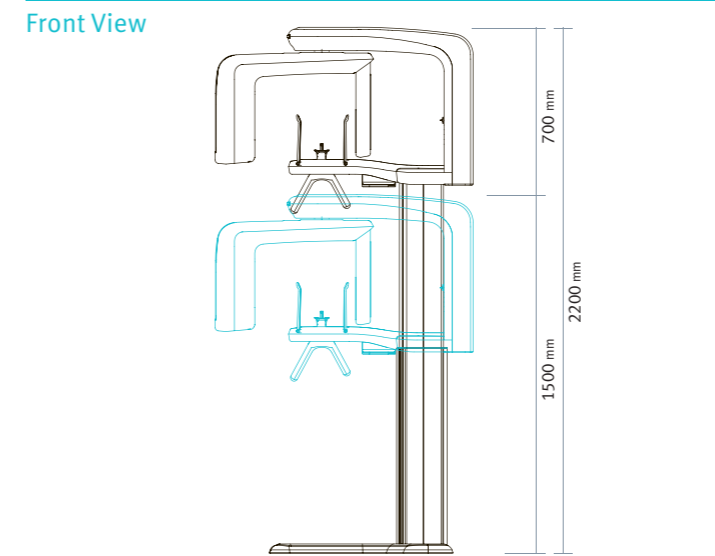
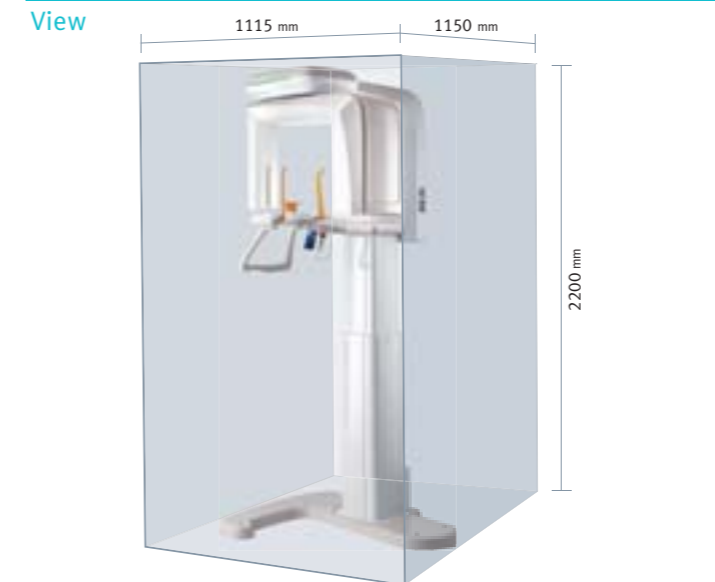
EzDent 4.0

“EzDent” is a communication and patient database tool that is easy to learn and convenient to use. In addition, all kinds of image formats are supported (bmp, jpg, tif, dcm, etc). This program can easily be connected to other software programs such as practice management software.



PaX-Primo _ Dimensions

PaX-Primo_ Pano



→ Specification

PaX-Primo	
Function	Panoramic
Exposure Time	Normal : 9.7sec High Resolution : 13.5sec TMJ : 3sec
Pano Sensor Type	CMOS
Generator	Type: Continuous X-ray Voltage: 50-90kVp Current: 2-10mA
Focal Spot	0.5mm
Gray Scale	14bit
Pixel Pitch	100µm
Patient Position	Standing/ Wheelchair accessible
Dimensions (WxDxH mm)	1115 x 1150 x 2200
Weight	75kg

Panoramic Programs

- Standard Panoramic
- Normal / Narrow / Wide
- High resolution
- Child

TMJ Programs

- Lateral / PA TMJ

Sinus Program

- Lateral / PA sinus

Special Programs

- Horizontal / Vertical segment
- Bitewing
- Orthogonal

: World Wide Network



Head Office
 Factory
 CS Centre
 Branch Office



- Head Office** | Republic of Korea
- Factory** | China Shanghai, Republic of Korea Hwaseong, Republic of Korea Yongin
- CS Centre** | Europe_Germany / Asia_Singapore, Taiwan / North America_Houston
- Branch Office** | Europe_UK, France, Spain, Czech, Italy / Asia_China Beijing, China Shanghai, China Guangzhou, Hong Kong, Taiwan, Singapore / North America_New Jersey, Houston
- Dealers** | Europe_Belgium, Bulgaria, Croatia, Cyprus, France, Germany, Greece, Hungary, Italy, Netherlands, Poland, Portugal, Romania, Russia, Slovenia, Spain, Switzerland, Sweden, Ukraine / Asia_Bangladesh, Brunei, Hong Kong, India, Indonesia, Japan, Nepal, Malaysia, Myanmar, Pakistan, Philippines, Singapore, Sri Lanka, Taiwan, Thailand, Turkey, Vietnam / South America_Argentina, Bolivia, Brazil, Chile, Colombia, Nicaragua, Paraguay, Peru, Venezuela / North America_Canada, Mexico / Oceania_Australia, New Zealand / Africa_Egypt, Morocco, Libya, South Africa / Middle East_Iran, Iraq, Jordan, Kuwait, Lebanon, Saudi Arabia, Syria, Qatar, U.A.E, Yemen, Israel