

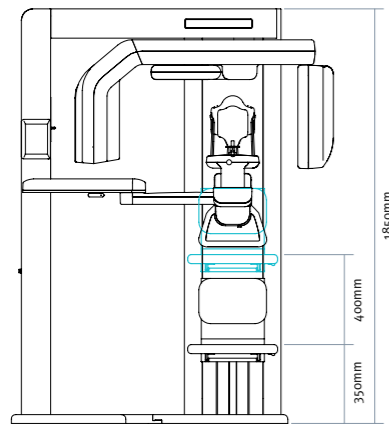
## Dimensions

PaX-Zenith3D\_Dental CT / Panoramic

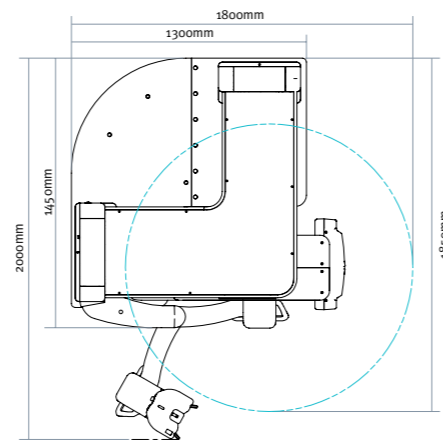
View



Front View



Top View



## Specification

Function	CBCT+Panoramic	Voxel Size	Selectable / 0.08mm-0.3mm
Recon Time	10sec-221sec (Standard)	Focal Spot	0.5X0.5mm
Scan Time	Dental CT 15sec/24sec Panoramic 9.7sec/13.5sec	Image acquisition	Dental CT 360° Panoramic 220°
Patient Position	Seated / WheelChair Accessible	Dimension	1800X2000X1850mm
Generator Voltage/ Current	50-120kVp/4-10mA	FOV(cm)	Free FOV(5X5-24X19)
		Weight	493kg

\* The specifications are subject to change without prior notice.

Caring Insight  
**vatech**

# PaX-Zenith3D

The Perfection In Dental Imaging  
Evolution

# The Perfection in Dental Imaging Evolution

PaX-Zenith3D, the signature radiographic imaging system from VATECH, delivers the unprecedented dental imaging experience and an exceptional patient care tool. By incorporating the latest and innovative radiographic imaging technologies, PaX-Zenith3D is designed for the imaging centers, university hospitals, and dental offices to provide high performance and superb imaging quality for radiographic diagnosis of craniofacial, maxillofacial treatment cases.



## THE PERFECTION IN DENTAL IMAGING EVOLUTION

### Values at a glance

- ▶ **The Largest Field-of-View: 24x19cm**
  - The most extended FOV range: from 5X5cm to 24X19cm
  - Freely select the area & size to capture
- ▶ **Multi Imaging Solution**
  - CBCT, Digital Panoramic,
  - Reconstructed Cephalometric Image
- ▶ **The Advanced Image Processing System**
  - CBCT: MAR (Metal Artifact Reduction)
  - Panoramic: Auto Focusing Technology
- ▶ **User Friendly System**
  - Wheelchair Accessible
  - Patient Monitoring System with Embedded Camera

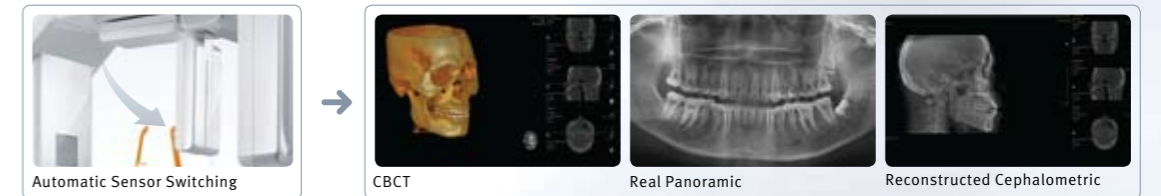
### The Largest Field-of-View: 24x19cm & Free FOV Selection

PaX-Zenith3D offers the most comprehensive radiographic information on dental and skeletal anatomy. With the biggest FOV size (24X19cm) in the market, it satisfies the clinical diagnostic requirement of all dental radiologists and practitioners including oral maxillofacial surgeons, apnea specialists. The free FOV function of PaX-Zenith 3D is the world's first implementation of such technology. With this function, the X-ray beam collimator is adjusted to produce an image of a specific ROI from the size of 5X5 cm to 24X19 cm based on a particular treatment need.



### Multi Imaging Solution

PaX-Zenith3D is truly the best radiographic solution available in the market today with the biggest FOV size, cephalometric image reconstruction & real panoramic image capture. PaX-Zenith3D offers the most extended diagnostic range suitable for Endodontics, Periodontics, Orthodontics as well as Oral & Maxillofacial surgery field.



### The Smart Panoramic Imaging : Auto Focusing

PaX-Zenith3D is equipped with a unique panoramic imaging process - Auto Focusing Technology. The 'Auto-Focusing' function optimizes a radiographic image by compensating an incorrect patient positioning and untypical patient arches without the need for multi radiographic scans.

